

# MYERS® C28-20 HIGH PRESSURE RECIPROCATING PISTON PUMP



Over a century of experience has proven that the Pentair's Myers line of reciprocating pumps are designed and built with performance you can rely on. Our C28-20 high pressure reciprocating pump combines manufacturing expertise and application understanding for a pump that is perfect for a variety of high pressure jobs. For details, contact your Pentair sales representative, or customer service at 419-289-1144.

## ADVANTAGES BY DESIGN

HANDLES WIDE RANGE OF DEMANDING INDUSTRIAL APPLICATIONS.

- High-strength fluid end and spring-loaded flat valves for high pressure pumping (up to 2,000 psi) of large water volumes.
- Pumps liquids to 180°F in mine, mill, food processing, car wash, sewer cleaner and other applications.

## PRODUCT CAPABILITIES, SPECIFICATIONS

Catalog Number	Max. Rated Capacity GPM (LPM)	Max. Rated Pressure PSI (Bar)	Temp. Rating °F (°C)	Size in inches (mm)						Approx. Wgt. Lbs. (kg)
				Cylinder Bore	Piston Stroke	Suction Size NPT	Discharge Size NPT	Input Shaft	Keyway	
C28-20 Triplex	27.9 (132.49)	2000 (138)	180 (82)	1 1/2 (38.1)	1 3/4 (44.45)	1 1/2	1	1 3/8 (34.93)	5/16 x 5/32 (7.94 x 3.97)	230 (104.2)

## HORSEPOWER REQUIREMENTS

GPM	RPM	Horsepower Required For:							
		600 PSI	800 PSI	1000 PSI	1200 PSI	1400 PSI	1600 PSI	1800 PSI	2000 PSI
12.5	325	52	6.9	8.6	10.3	120	13.8	15.5	17.2
16.4	425	6.7	9.0	11.2	13.5	15.7	18.0	20.2	22.5
20.2	525	8.3	11.1	13.9	16.7	19.4	22.2	25.0	27.8
24.1	625	9.9	13.2	16.5	19.8	23.1	26.4	29.8	33.1
27.9	725	11.5	15.3	19.2	23.0	26.8	30.7	34.5	38.3

## KILOWATT PERFORMANCE DATA

LPM	RPM	Kilowatts Required For:							
		41.4 BAR	55 BAR	70 BAR	82.7 BAR	96.6 BAR	110.4 BAR	124.2 BAR	138 BAR
47.4	325	3.8	5.1	6.5	7.7	9.0	10.2	11.5	12.8
62.0	425	5.0	6.7	8.5	10.0	11.7	13.4	15.1	16.7
76.6	525	6.2	8.2	10.5	12.4	14.5	16.5	18.6	20.7
91.1	625	7.4	9.8	12.5	14.8	17.2	19.7	22.2	24.6
105.7	725	8.6	11.4	14.5	17.1	20.0	22.8	25.7	28.6

- Horsepower required is based upon 85% overall efficiency.
- Formula: (1) HP required =  $\frac{\text{GPM} \times \text{PSI}}{1457}$  or  $\text{KW} = \frac{\text{LPM} \times \text{BAR}}{511}$   
(2) Expected GPM =  $\frac{\text{Rated GPM} \times \text{Working RPM}}{\text{Rated RPM}}$   
Expected LPM =  $\frac{\text{Rated LPM} \times \text{Working RPM}}{\text{Rated RPM}}$   
Motor shieve O.D. size =  $\frac{\text{Pump shieve O.D. size} \times \text{Pump RPM}}{\text{Motor RPM}}$

NOTE: Horsepower requirements for an internal combustion engine (gas or diesel) may be obtained by multiplying the figures listed by 1.3. Do not exceed 80% of the manufacturer's advertised horsepower at operating RPM.

## FLUID END

**SUCTION, DISCHARGE OPENINGS**  
Threaded for easy connections.

**BODY**  
High strength ductile iron.

**VALVE & CYLINDER CAPS**  
Buna-N O-rings and back-up ring.

**VALVE ASSEMBLIES**  
Spring-loaded valves, hardened seats.

**PACKING**  
Nitrile with cotton fabric. Multi-lip V-ring supported by phenolic follower.

**CYLINDERS**  
Tapered stainless steel liners with ceramic coating.

**PISTON ASSEMBLY**  
Solid stainless steel stud, pressure ring, spring, retainer and cap screw.

**CROSSHEADS**  
Heavy-duty ductile iron. "Pony" rods are axially threaded and pinned, polished stainless steel.

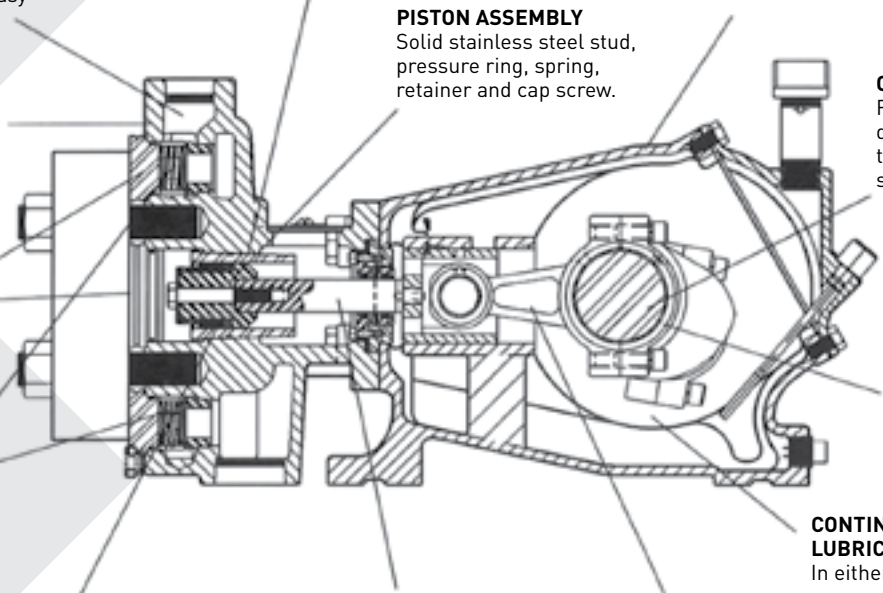
**BODY**  
Rugged cast ductile iron crankcase serves as oil reservoir. Removable cover section for easy service.

**CRANKSHAFT**  
Rotates in either direction. Automotive-type heat-treated alloy steel.

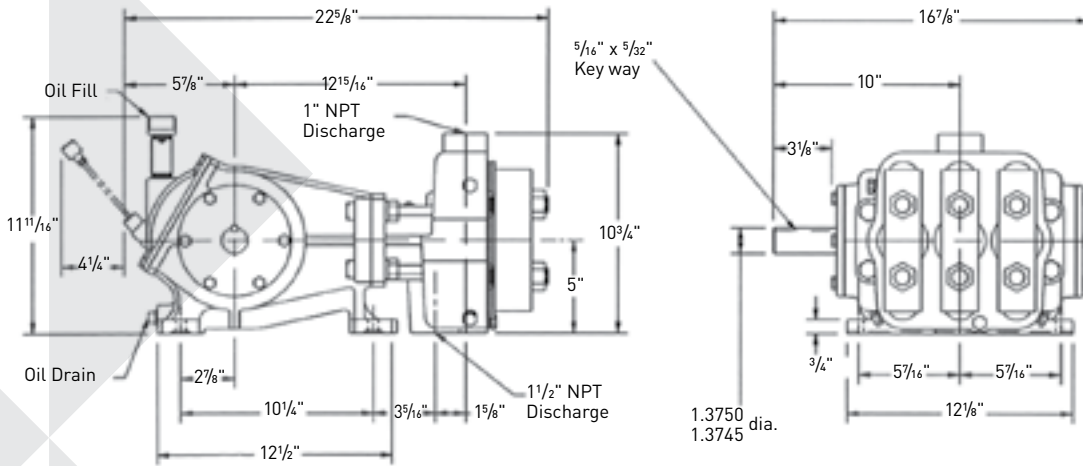
**MAIN BEARINGS**  
Tapered roller bearings.

**CONTINUOUS SPLASH LUBRICATION**  
In either rotation direction.

**CONNECTING LINKS**  
Cast ductile iron with replaceable bronze bearings.



## DIMENSIONS



740 EAST 9TH STREET,  
ASHLAND, OHIO 44805  
WWW.FEMYERS.COM

490 PINEBUSH ROAD, UNIT 4,  
CAMBRIDGE, ONTARIO N1T 0A5  
WWW.FEMYERS.COM

Because we are continuously improving our products and services, Pentair reserves the right to change specifications without prior notice.  
K3939 01/08/14 © 2014 Pentair. All Rights Reserved.